

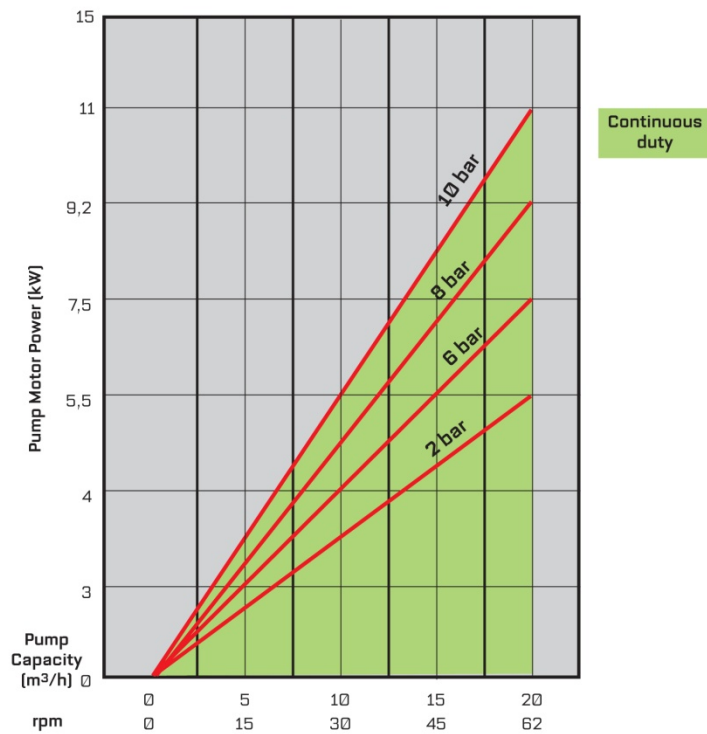
LPP-T65 Hose Pump

TECHNICAL DATA SHEET

FLOW WITH MAXIMUM PRESSURE

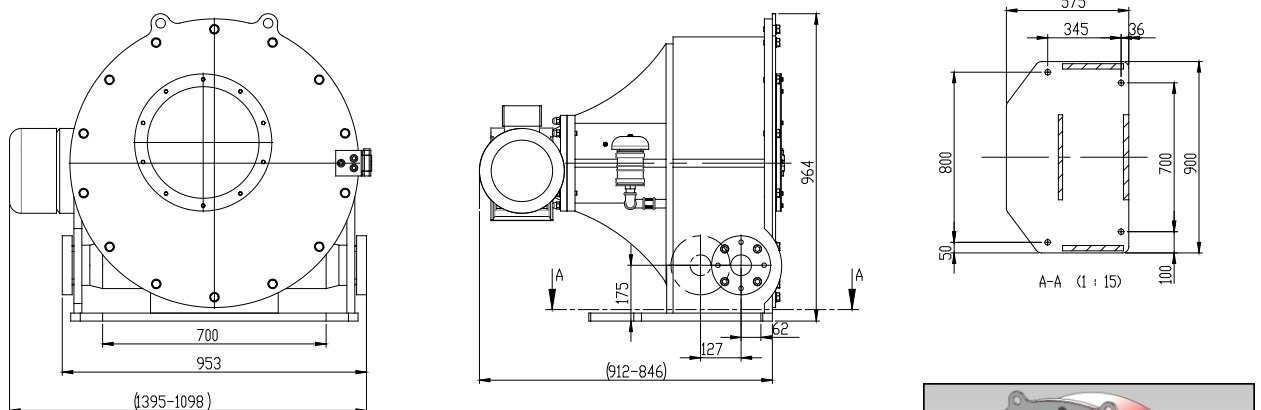
LPP-T65 CAPACITY CHART, CONTINUOUS DUTY, UP TO 95°C

(24 h/day/7 days per week)

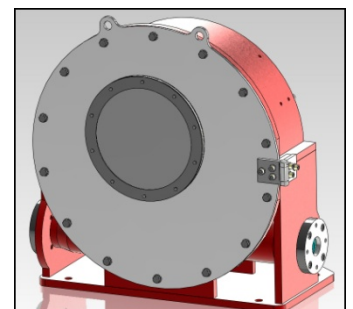


Technical Data

- Maximum flow: 20m³/h
- Maximum pressure: 10 bar
- Flow/revolution: 5.4 l
- Hose bore: 65 mm
- Lubricant volume: 3 l
- Weight: ~960 kg
- Motor power: 3-11 kW



Dimensions (X, Y) vary according to the drive size.
Please consult Flowrox Oy for the exact drive sizing to your application.



FLOWROX PUMP MODEL NUMBERING

Model	Size (DN)	Drive	Pressure Class (PN)	Connection	Body Material	Drive Control	Auxiliaries
LPP-T = Industrial hose pump	25 32 40 50 65 80 100 (mm)	GM = geared motor GU = gear unit BS = bare shaft pump	10 = 10 BAR 7.5 = 7.5 BAR (DN80)	1 = - 2 = flanged DIN PN 10 3 = flanged DIN PN 16 6 = flanged ANSI 150 8 = flanged B.S. TABLE D 9 = other	Ø = FE	II = Integrated inverter (IP66) I = Inverter (IP20) N = None WC = Control unit	T = pressure transmitter with display R = Revolution detector D = Hose leak detector H = Connector hoses K = Connector flange for pressure transmitter F = Forced cooling

Example: Pump LPP-T40, geared motor, 10 bar, flanges DIN PN 10, with integrated inverter, pressure transmitter with display, hose leak detector

Type marking: LPP-T40GM 10-2-0-II-TD

FLOWROX PUMP HOSE MODEL NUMBERING

Hose Type	Hose Material	Pressure Class (PN)	Hose Inner Diameter
LPP-T = LPP-T pump hose	EPDM = Ethylene propylene NR = Natural rubber NBR = Nitrile NBRF = Nitrile (FDA)	10 = 10 BAR 7.5 = 7.5 BAR (DN80)	(mm) 25 32 40 50 65 80 100

Example: LPP-T hose, natural rubber, pressure class 10 bar, hose bore diameter 40 mm

Type marking: LPP-T40-NR10