



Flowrox Expulse™

Flowrox Expulse™ is a flexible inline pulsation dampener, which quiets noise while settling pressures peaks and uneven flows. The design is based on a double hose structure with an expansive inner hose, reinforced outer hose and compressed air between the layers.

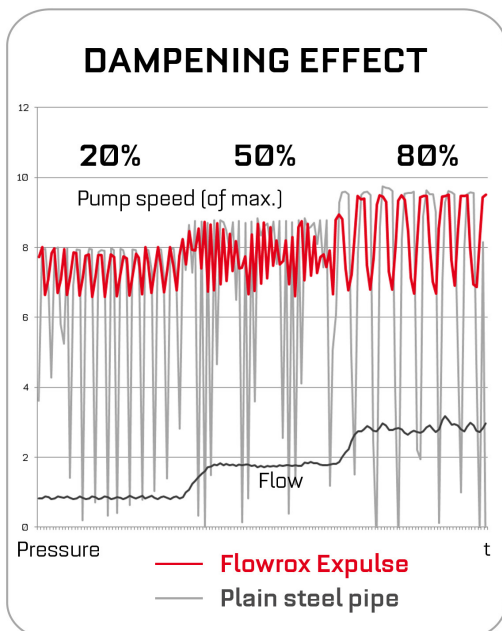
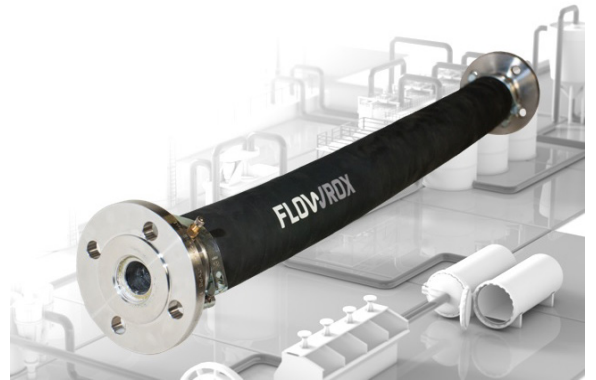
SIMPLE AND EFFECTIVE

Flowrox Expulse absorbs up to 90% of pulsations. Flowrox Expulse smooths the process medium flow, which minimizes pressure peaks and significantly reduces the pulsation effect. It also saves energy up to 10% by temporarily storing it to the flexible inner hose and filler gas.

PERFECT COMBINATION WITH A PULSATING POSITIVE DISPLACEMENT PUMP

Flowrox Expulse provides a flexible connection to the pump and compensates for possible misalignments of the pipeline. The dampener can also be easily removed to allow simple access for pump maintenance.

Flowrox Expulse is the perfect solution for any pulsating positive displacement pump. It can reduce hammering of the pipeline and pump to enable increased pump bearing and gearbox lifetime.



YOUR BENEFITS

Absorbs up to 90% of pulsations & reduces noise.



Combined pulsation dampener and a connection hose.



Inline & full bore dampener structure



Non-clogging & self-cleaning

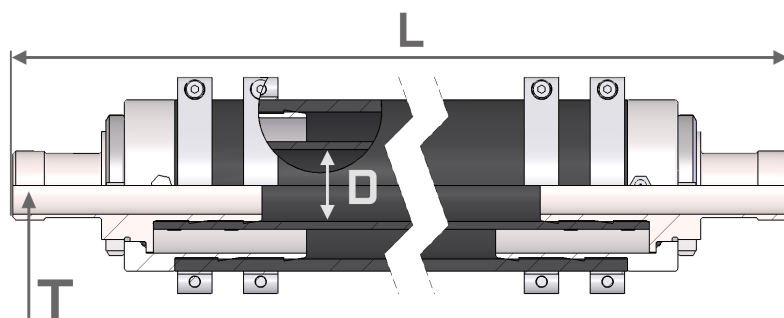


Tolerates misalignments in the pipeline

*Install easily on any pulsating pump type
from any manufacturer in the market* ”

PRODUCT SPECIFICATION

TECHNICAL DATA	
Size	DN32-DN100/1 ¼ " -4"
Hose material	NR Standard
Wetted parts	AISI316 & NR
Maximum pressure	10 bar
Maximum temperature	+ 75° C
Filling media between dampener hoses	Oil free compressed air
Standard features	Threaded ends
Auxiliaries	Flanges Automatic pressure control system (coming soon)



Size (DN)	Length L	Inner diameter D	Threads T	Weight (kg)
32	1100	40	G1-1/4" THREADS	7
40	1100	50	G1 1/2" THREADS	11
50	1400	50	G2" THREADS	13
65	1500	76	G2 1/2" THREADS	18
80	1500	102	G3" THREADS	38
100	2900	102	G4" -THREADS	55

Information without engagement. All rights to changes without prior notice reserved.



Flowrox Oy
PO Box 338, FI-53101 Lappeenranta
Marssitie 1, FI-53600 Lappeenranta
Finland
Tel. +358 201 113 311

www.flowrox.com
info@flowrox.com

